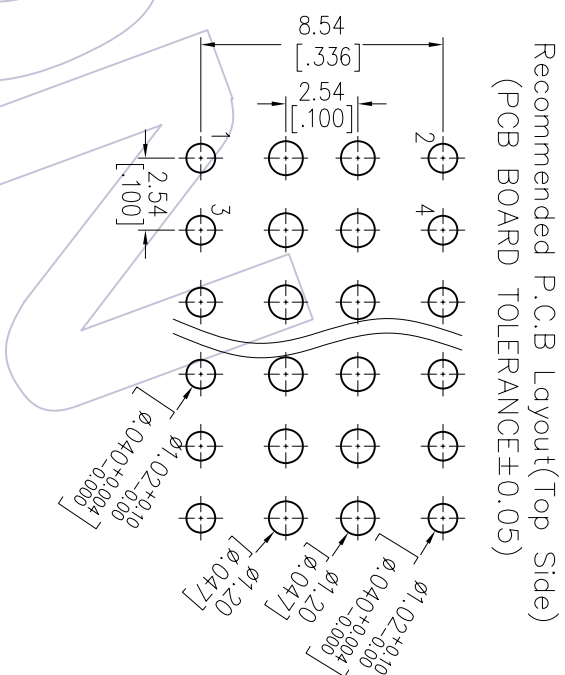
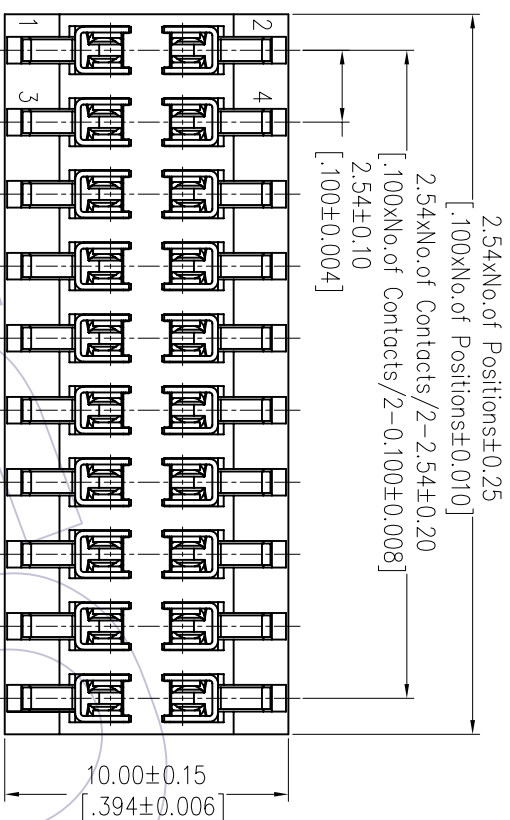


HSF

NOTES:

- Current Rating: 3.0AMP
- Contact Resistance: 20mΩ Max
- Withstand Voltage: 1000V AC/DC
- Insulation Resistance: 1000MΩ Min
- Operation Temperature: -40°C to +105°C
- Contact Material: Phosphor Bronze
- Contact plating: Au Or Sn over Ni
- Insulator Material: PA9T+30%G.F UL94V-0

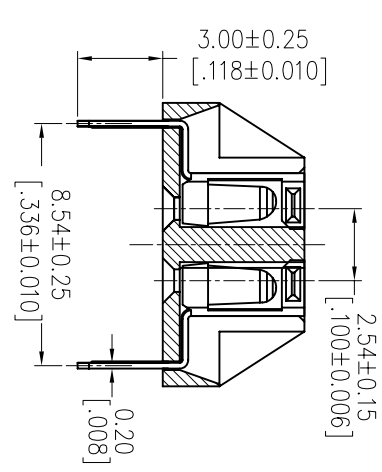
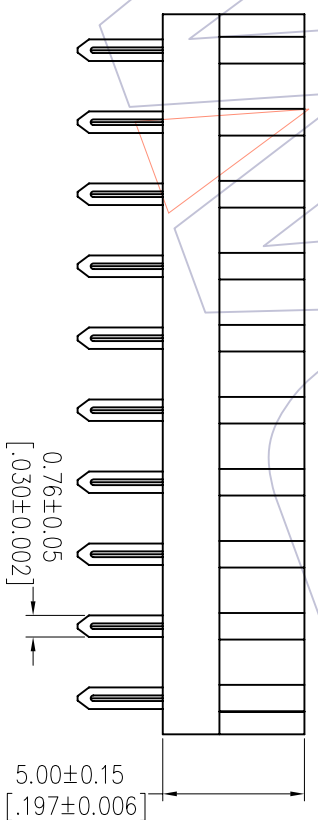


Recommended P.C.B Layout (Top Side)
(PCB BOARD TOLERANCE ± 0.05)

Ordering Information

2150T - 2 XX W XX CUN X 1

- No. of Pins per Row: 02-40PIN
- Contact Plating: G0=Cold Flash
- G3=10µr/Gold
- G4=15µr/Gold
- G3=30µr/Gold
- S0=Cold Flash/Tin
- S3=10µr/Gold/Tin
- S4=15µr/Gold/Tin
- S5=30µr/Gold/Tin
- SN=1Tin
- SW=Mate Tin



Item	Pitch	Mating
Standard	2.54	1115/1120/1125
Alternate		

REV	DATE	MODIFICATION DESCRIPTION	CHANGE	DIM	TOL	APPROVE	DATE	SHEET	PROJ.	PART NO.	TITLE:	Customer NO.	WCON-Dongguan	WCON-Kunshan
A0	2012/08/06	NEW				JYHuang	2012/08/06	A4		2150T-2XXWXXCUNX1	PH2.54 Double Row Centipede Feet H=5.0 Top Enter		Tel: +86 769 85358920 Fax: +86 769 85358915 E-mail: sales@wcon.com	Tel: +86 512 57468408 Fax: +86 512 57468468 E-mail: sales@wcon.com
OPERATION			XX	±0.40		CHECK	DATE	UNIT	mm					
DRAW			XX	±0.25		CHECK	DATE	SIZE	A4					
SCALE			XX	±0.15		APPROVE	DATE	SHEET	1/1					
FIT			XX	± 3°		APPROVE	DATE	PROJ.						

WCON

Http: www.wcon.com

WCON-Dongguan
Tel: +86 769 85358920
Fax: +86 769 85358915
E-mail: sales@wcon.com

WCON-Kunshan
Tel: +86 512 57468408
Fax: +86 512 57468468
E-mail: sales@wcon.com