

HSHF

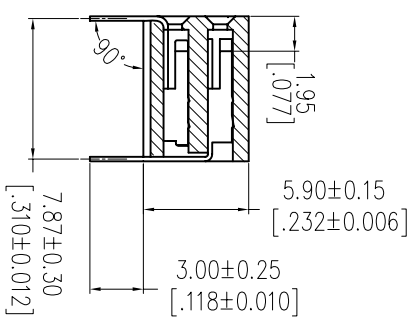
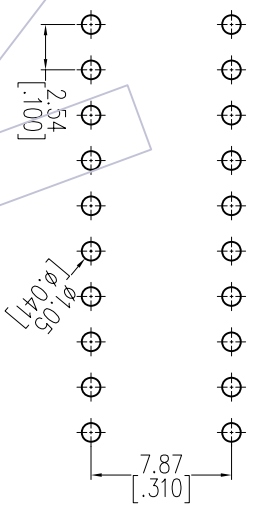
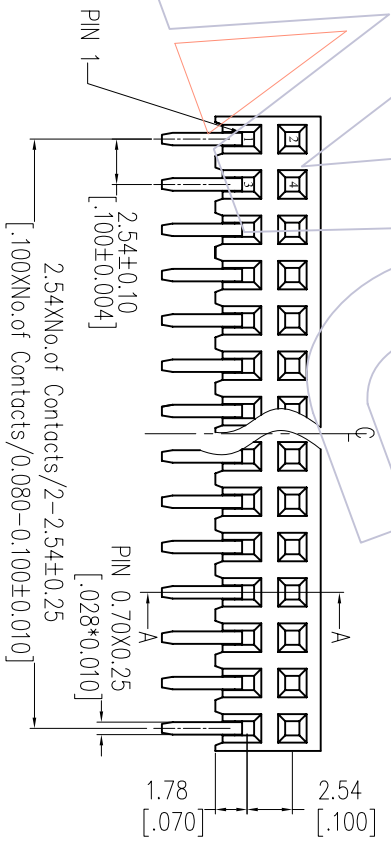
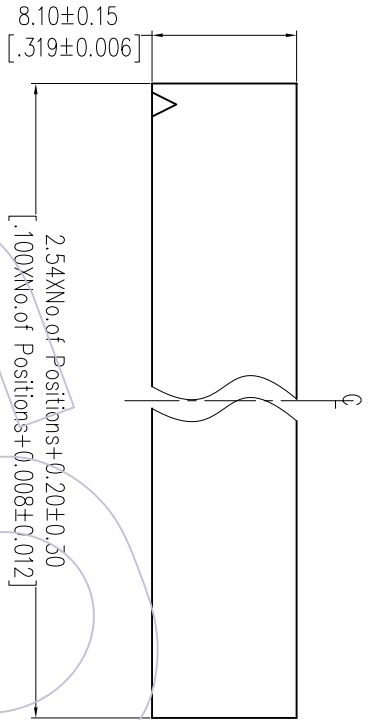
- NOTES:
- Current Rating: 3.0AMP
 - Contact Resistance: 20mΩ Max
 - Withstand Voltage: 1000V AC/DC
 - Insulation Resistance: 1000MΩ Min
 - Operation Temperature: -40°C to +105°C
 - Contact Material: Phosphor Bronze
 - Contact plating: Au Or Sn over Ni
 - Insulator Material: PA9T+30%G.F UL94V-0

Ordering Information

2159 - 2 XX R XX CUNX 1

- No. of Pins per ROW: 52-40PIN
- Contact Plating:
C0=Gold Flash
G3=10µ"Gold
G4=15µ"Gold
G5=30µ"Gold
S0=Gold Flash/Tin
S3=10µ"Gold/Tin
S4=15µ"Gold/Tin
S5=30µ"Gold/Tin
SN=Tin
SM=Mature Tin
- Packing:
A=Tray
T=Tube

Item	Pitch	Mating
Standard	2.54	1125B
Alternate		



				OPERATION		DRAW		DATE		SCALE		FIT		PART NO.	
				XX		JYHuang		2012/08/24		mm				2159-2XXXXCUNX1	
				X.XX		CHECK		DATE		A4				TITLE:	
				X.XXX		CHECK		DATE		A4				FIG.2, 54mm DUAL ROW 90° DIP H=5.9	
				Angle		APPROVE		DATE		SHEET				Customer NO.	
				± 3°		APPROVE		DATE		1/1					
				DIM		TOL		PROJ.							
CHANGE															
MODIFICATION DESCRIPTION															
DATE															
REV															
A0				2012/08/10		NEW									
A1				2012/08/24		Change the mating object									
Standard				2.54		1125B									
Item				Pitch		Mating									
Alternate															

Http: www.wcon.com

WCON-Dongguan Tel: +86 769 85358920 Fax: +86 769 85358915 E-mail: sales@wcon.com

WCON-Kunshan Tel: +86 512 57468408 Fax: +86 512 57468468 E-mail: sales@wcon.com