

HSF

NOTES:

Current Rating:2.0AMP
 Contact Resistance:20mΩ max
 Withstand Voltage:500V AC/DC
 Insulation Resistance:1000MΩ min
 Operation Temperature:-40°C to +105°C

Contact Material:Brass
 Contact plating:Au or Sn Over Ni
 Insulator Material:PA9T+30%GF(UL94V-0)

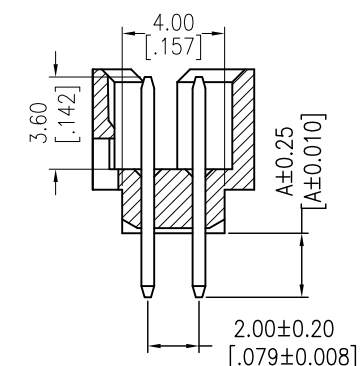
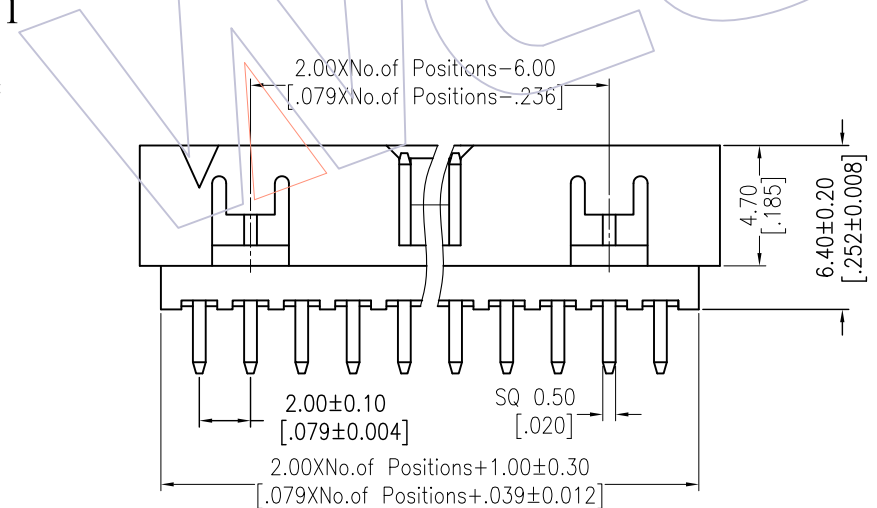
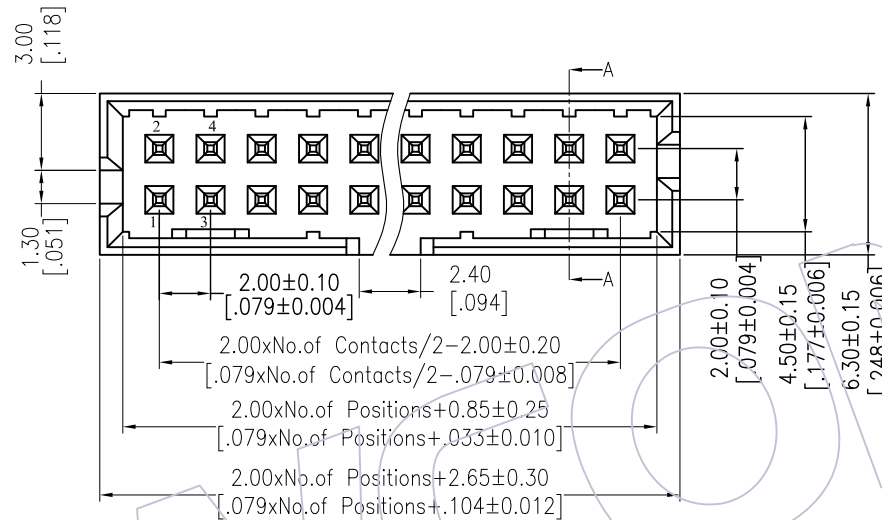
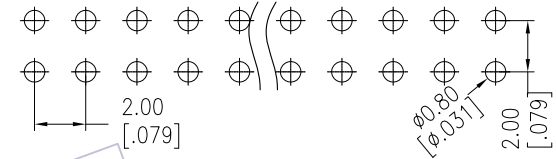
Ordering Information

3121-XX S XX B K00 X 1

▲ No. of Pins	Contact Plating	Color Insulator	Packing
14 30	G0=Gold Flash	B=Black	T=Tube
16 34	G3=10u"Gold		
20 40	G4=15u"Gold		
24 44	G5=30u"Gold		
26 50	S0=Gold Flash/Tin		
	S3=10u"Gold/Tin		
	S4=15u"Gold/Tin		
	S5=30u"Gold/Tin		
	SN=Tin		

Item	Pitch	Mating	Dip(A)
Standard	2.00	5223/5226	2.50
Alternate			

Recommended P.C.B Layout(Top Side)
 (PCB BOARD TOLERANCE±0.05)



REV	DATE	MODIFICATION DESCRIPTION	CHANGE	OPERATION	DRAW	DATE	SCALE	FIT	PART NO.
A1	2015/08/27	Modify	▲	x.x ±0.40	Allen	2015/08/27	UNIT	mm	3121-XXSXXBK00X1
AO	2012/09/22	NEW	-----	x.xx ±0.25	CHECK	DATE	SIZE	A4	TITLE: 2.00 BOX HEADER 180° H=6.4
				x.xxx ±0.15			SHEET	1/1	Customer NO.
				Angle ± 3'	APPROVE	DATE	PROJ.		
				DIM TOL					

WCON
 Http: www.wcon.com

WCON-Dongguan Tel: +86 769 85358920 Fax: +86 769 85358915 E-mail: sales@wcon.com	WCON-Kunshan Tel: +86 512 57468408 Fax: +86 512 57468468 E-mail: salesks@wcon.com
---	--